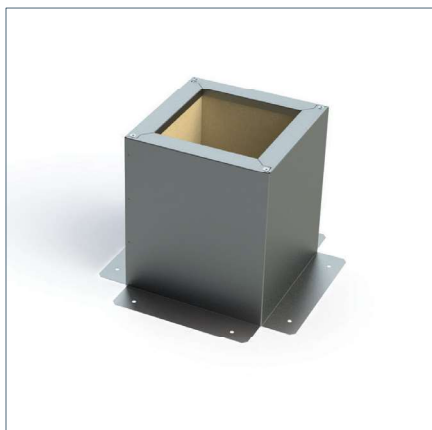


PDI/PDT roof base

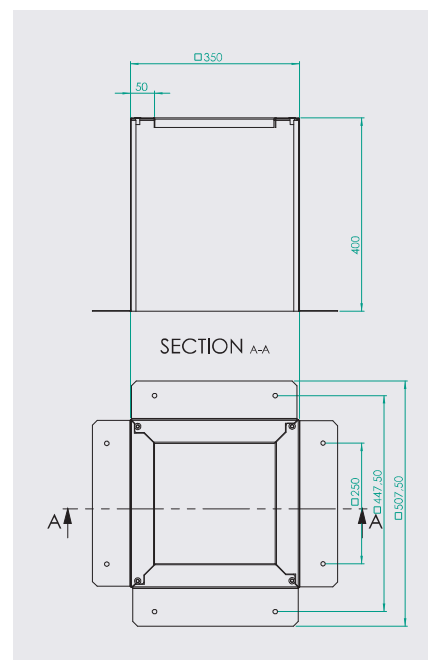


DESCRIPTION

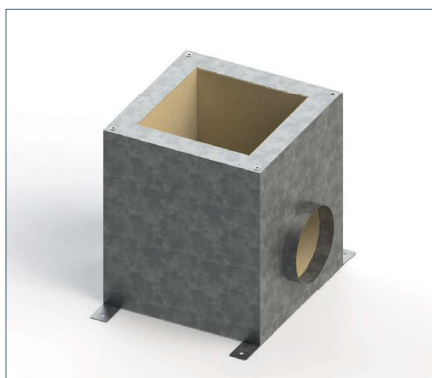
A flat-roof base is made of a galvanised sheet. Two types of roof bases are available: PDI — insulated with is a 10mm insulation (polyurethane foam) inside preventing condensation and PDT — silencing, with 50mm insulation (mineral wool).

The collar around the base allows the base to be firmly attached to the roof.

DIMENSIONS



PDDS I/T double-suction roof base



DESCRIPTION

A double-suction roof base is made of a galvanised sheet. Two types of roof bases are available: PDDS I — insulated, with is a 10mm insulation (polyurethane foam) inside preventing condensation and PDDS T — silencing, with 50mm insulation (mineral wool).

The collar around the base allows the base to be firmly attached to the roof.

Base plate with a **PP** connector



DESCRIPTION

Base plate with a connector (optional). An element closing the bottom of the roof base equipped with a 100, 125, 160, 200 or 250mm-diameter connector.