

# BVK PRO EC FANS



## DESCRIPTION

The roof fan is designed for external installation, at the ends of ventilation ducting, in garages, residential, commercial and industrial buildings with a low level of particulate air pollution.

## APPLICATION

BVK roof fans are used in exhaust systems in various types of rooms. They are adapted for mounting on insulated and damped roof bases. The diameter or cross-section of ventilation ducting depends on the size and the type of fan.

## INSTALLATION

The fan is mounted on a roof base (insulated or damped), installed above the ventilation ducting. The electrical connection and installation must be carried out in accordance with the manual and wiring diagram presented in the product DTR.

## FEATURES

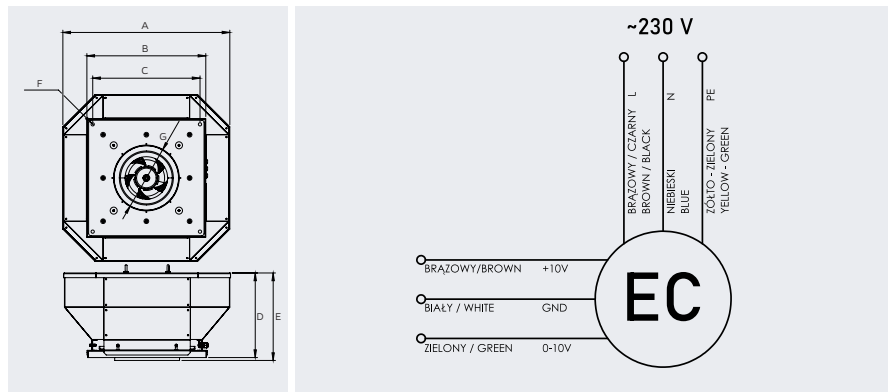
- Vertical air discharge;
- Galvanised sheet metal construction;
- EC motor
- 0-10V control
- Adaptor plate with spigot has been added to in the kit

## BVK PRO 280 EC

### TECHNICAL DATA

Model BVK PRO 280 EC	
Number of phases, nominal power supply [V]	1-;230
Supply range [V]	200÷277 AC
Frequency [Hz]	50/60
Max. power consumption [W]	500
Max. current consumption [A]	2,5
Weight [kg]	31
Motor protection class [IP]	54
Max. output [m <sup>3</sup> /h]	3400

### ELECTRICAL WIRING DIAGRAM



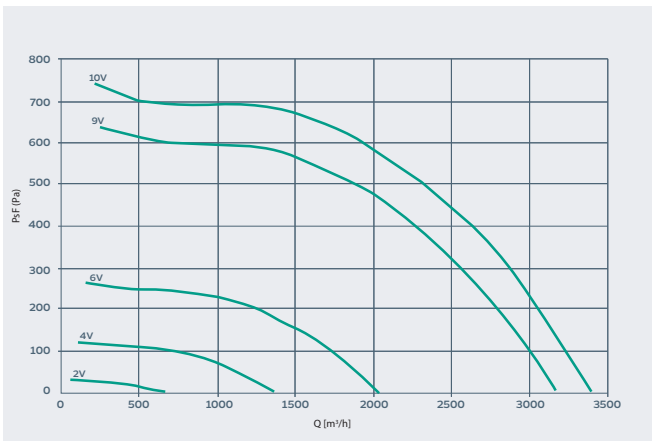
### DIMENSIONS [mm]

Model	A	B	C	D	E	ØF	ØG
BVK PRO 280 EC	716	510	460	362,5	375	10	278

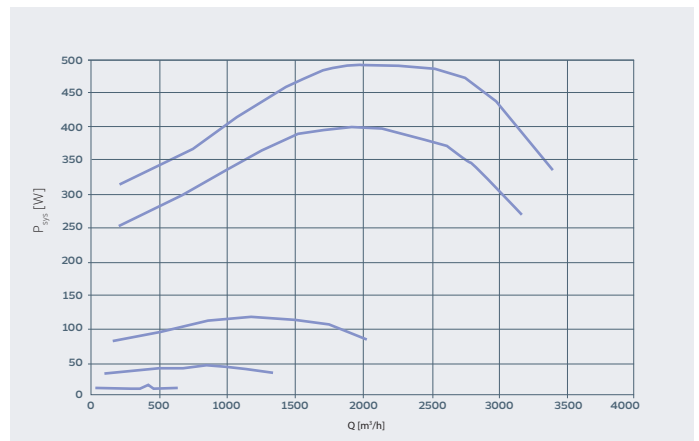
### ACOUSTIC ATTENUATION

	63 Hz	125 Hz	250 Hz	500 Hz	1000 Hz	2000 Hz	4000 Hz	8000 Hz	Calkowite
Lw(A)	48	55	67	74	69	65	64	74	78
Lw	74	71	75	77	70	64	63	76	83

### PERFORMANCE CHARACTERISTICS



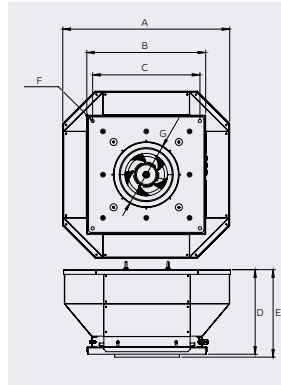
### POWER CONSUMPTION



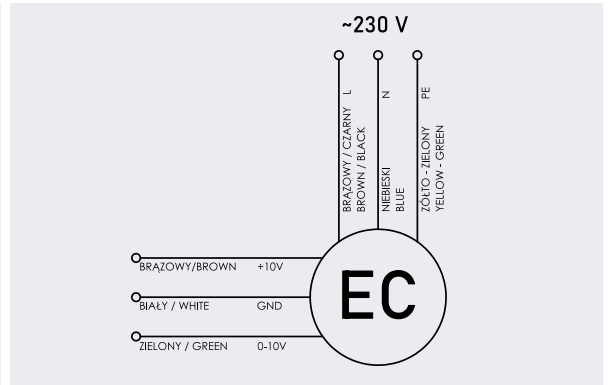
# BVK PRO 315 EC

## TECHNICAL DATA

Model BVK PRO 315 EC	
Number of phases, nominal power supply [V]	1-;230
Supply range [V]	200÷277 AC
Frequency [Hz]	50/60
Max. power consumption [W]	500
Max. current consumption [A]	2,5
Weight [kg]	31
Motor protection class [IP]	54
Max. output [m <sup>3</sup> /h]	3400



## ELECTRICAL WIRING DIAGRAM



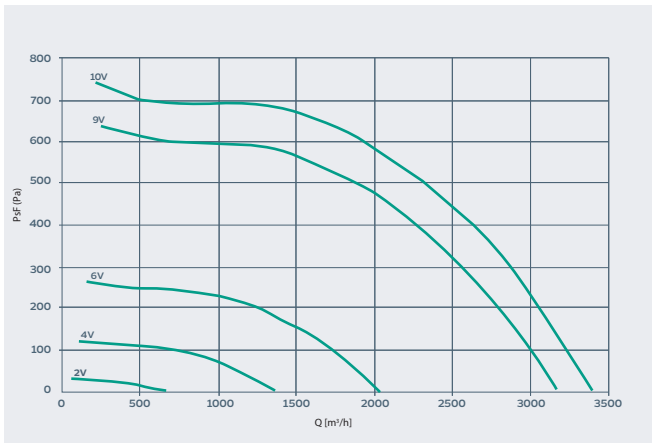
## DIMENSIONS [mm]

Model	A	B	C	D	E	ØF	ØG
BVK PRO 315 EC	716	510	460	362,5	372	10	313

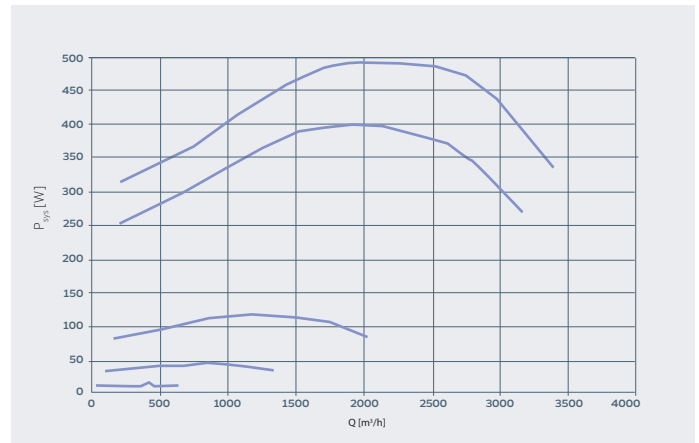
## ACOUSTIC ATTENUATION

	63 Hz	125 Hz	250 Hz	500 Hz	1000 Hz	2000 Hz	4000 Hz	8000 Hz	Calkowite
Lw(A)	48	55	67	74	69	65	64	74	78
Lw	74	71	75	77	70	64	63	76	83

## PERFORMANCE CHARACTERISTICS



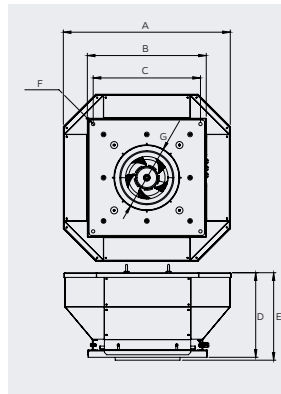
## POWER CONSUMPTION



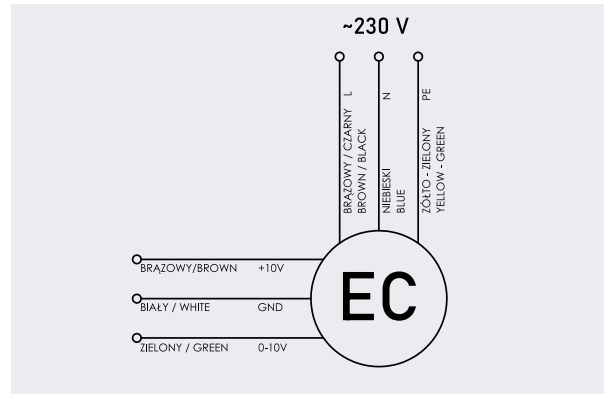
# BVK PRO 355 EC

## TECHNICAL DATA

Model BVK PRO 355 EC	
Number of phases, nominal power supply [V]	1-;230
Supply range [V]	200÷277 AC
Frequency [Hz]	50/60
Max. power consumption [W]	740
Max. current consumption [A]	3,8
Weight [kg]	38
Motor protection class [IP]	54
Max. output [m³/h]	4700



## ELECTRICAL WIRING DIAGRAM



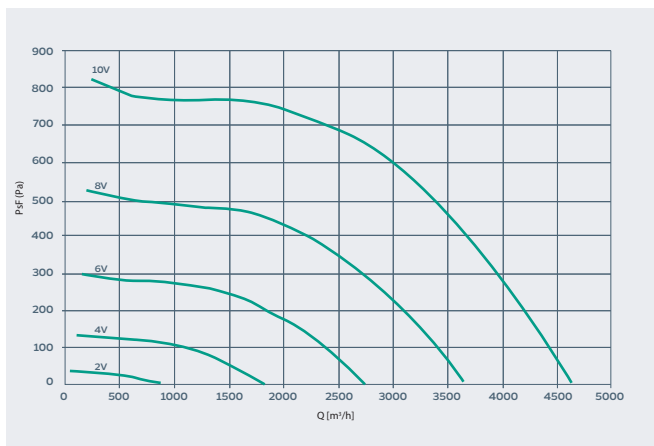
## DIMENSIONS [mm]

Model	A	B	C	D	E	ØF	ØG
BVK PRO 355 EC	833	610	560	372,5	409	11	353

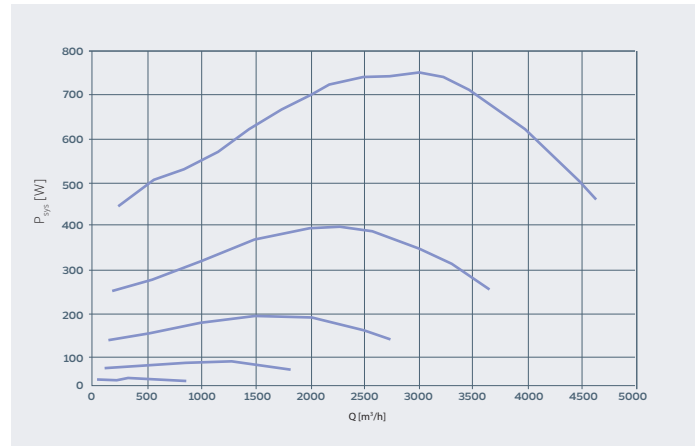
## ACOUSTIC ATTENUATION

	63 Hz	125 Hz	250 Hz	500 Hz	1000 Hz	2000 Hz	4000 Hz	8000 Hz	Całkowite
Lw(A)	36	47	59	63	64	59	56	52	68
Lw	62	62	69	66	64	57	55	54	73

## PERFORMANCE CHARACTERISTICS



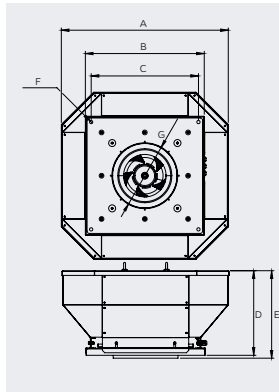
## POWER CONSUMPTION



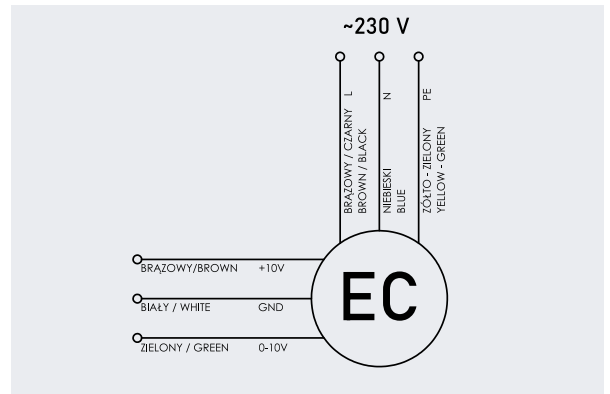
# BVK PRO 450 EC

## TECHNICAL DATA

Model BVK PRO 450 EC	
Number of phases, nominal power supply [V]	1-;230
Supply range [V]	200÷277 AC
Frequency [Hz]	50/60
Max. power consumption [W]	1,3
Max. current consumption [A]	6,8
Weight [kg]	56
Motor protection class [IP]	54
Max. output [m³/h]	7600



## ELECTRICAL WIRING DIAGRAM



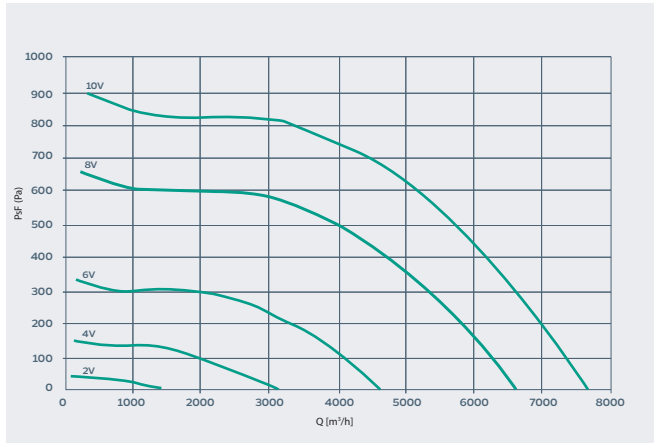
## DIMENSIONS [mm]

Model	A	B	C	D	E	ØF	ØG
BVK PRO 450 EC	916	660	610	442,5	501,5	11	448

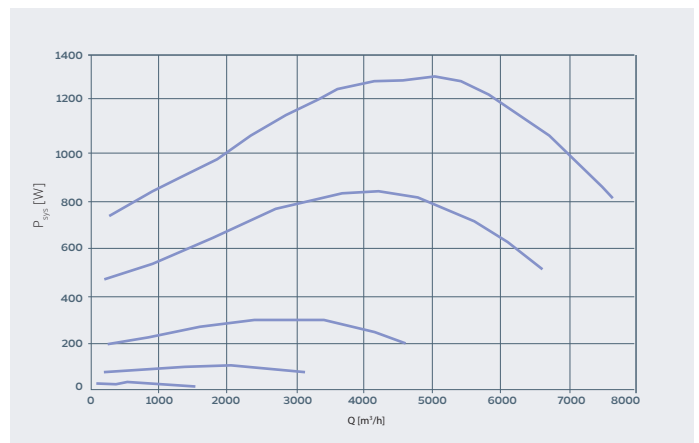
## ACOUSTIC ATTENUATION

	63 Hz	125 Hz	250 Hz	500 Hz	1000 Hz	2000 Hz	4000 Hz	8000 Hz	Całkowite
Lw(A)	40	57	65	64	64	62	59	57	71
Lw	66	71	72	67	64	61	58	58	76

## PERFORMANCE CHARACTERISTICS



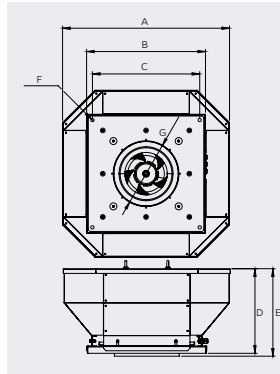
## POWER CONSUMPTION



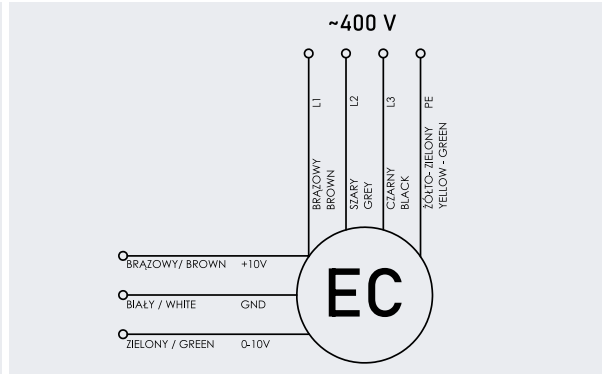
# BVK PRO 560 EC

## TECHNICAL DATA

Model BVK PRO 560 EC	
Number of phases, nominal power supply [V]	3-;400
Supply range [V]	380÷480 AC
Frequency [Hz]	50/60
Max. power consumption [W]	3,4
Max. current consumption [A]	5,4
Weight [kg]	106
Motor protection class [IP]	54
Max. output [m³/h]	16800



## ELECTRICAL WIRING DIAGRAM



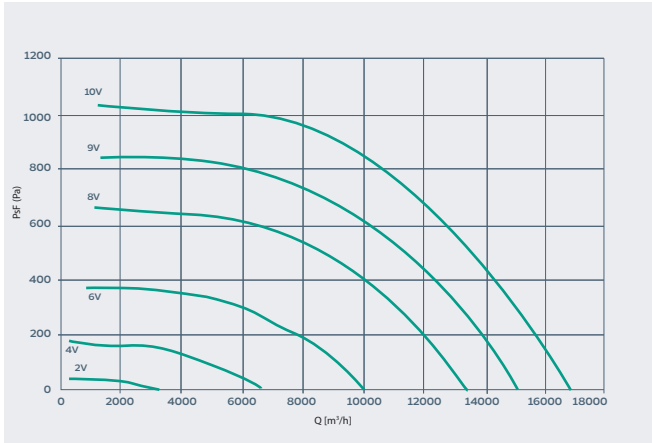
## DIMENSIONS [mm]

Model	A	B	C	D	E	ØF	ØG
BVK PRO 560 EC	1234	860	810	592,5	648,5	14	558

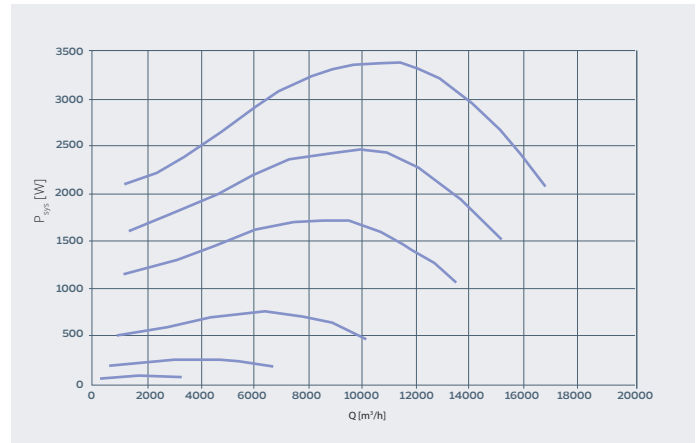
## ACOUSTIC ATTENUATION

	63 Hz	125 Hz	250 Hz	500 Hz	1000 Hz	2000 Hz	4000 Hz	8000 Hz	Całkowite
Lw(A)	54	71	79	78	76	74	71	83	86
Lw	79	87	87	82	76	73	70	85	92

## PERFORMANCE CHARACTERISTICS



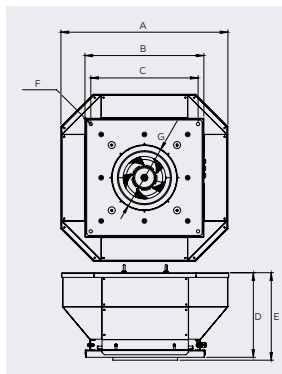
## POWER CONSUMPTION



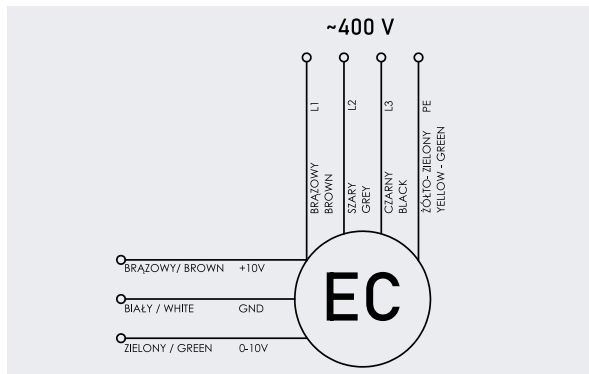
# BVK PRO 630 EC

## TECHNICAL DATA

Model BVK PRO 630 EC	
Number of phases, nominal power supply [V]	3-;400
Supply range [V]	380÷480 AC
Frequency [Hz]	50/60
Max. power consumption [W]	3,4
Max. current consumption [A]	5,4
Weight [kg]	106
Motor protection class [IP]	54
Max. output [m³/h]	16800



## ELECTRICAL WIRING DIAGRAM



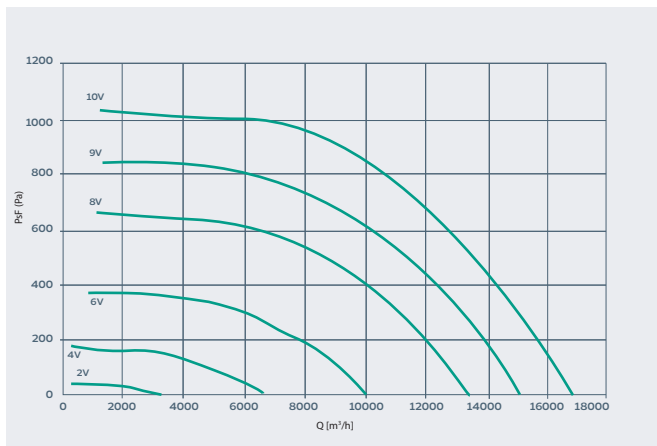
## DIMENSIONS [mm]

Model	A	B	C	D	E	ØF	ØG
BVK PRO 630 EC	1234	860	810	592,5	648,5	14	628

## ACOUSTIC ATTENUATION

	63 Hz	125 Hz	250 Hz	500 Hz	1000 Hz	2000 Hz	4000 Hz	8000 Hz	Całkowite
Lw(A)	54	71	79	78	76	74	71	83	86
Lw	79	87	87	82	76	73	70	85	92

## PERFORMANCE CHARACTERISTICS



## POWER CONSUMPTION

