

BTP PRO fans with EC motor



APPLICATION

BTP EC PRO series fans are used in ventilation systems that require relatively high pressure, strong air flow and low noise levels. They are an excellent solution for ventilation systems in residential buildings, collective housing and public buildings.

Designed for ventilation ducts with diameters of 125, 160, and 200 mm..

DESIGN

BTP EC PRO fans are compact in size, making them suitable for installation in small spaces.

The fan housing is made of high-quality plastic.

MOTOR

The fans are equipped with highly efficient DC motors with EC technology and an external rotor with backward-curved blades. This solution saves electricity, achieves high efficiency, and ensures optimal control across the entire speed range.

SPEED CONTROL

The fan is switched on and its performance is controlled by an external 0-10V control signal. When the EC control parameter value is changed, the motor changes its rotational speed, adjusting it to the system requirements. In residential ventilation systems, fans should work with the CSR-B controller.

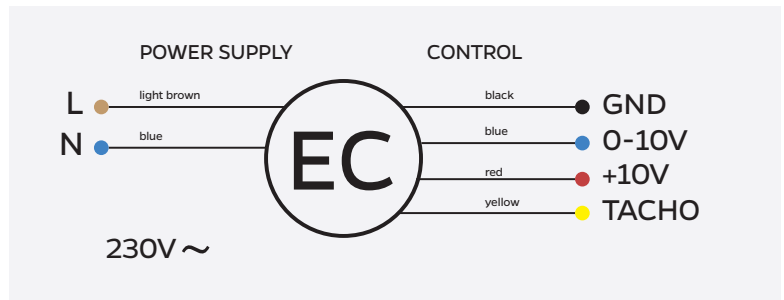
DESCRIPTION

Duct fans with EC motor, mixed flow and capacity up to 1205 m³/h.

INSTALLATION

Installation is possible at any angle relative to the fan axis. Electrical connection and installation should be carried out in accordance with the instructions and electrical diagram provided in the technical documentation. It is recommended to connect to the ventilation duct using an anti-vibration BOM mounting strap.

ELECTRICAL CONNECTION DIAGRAM



CSR-B* CONTROLLER

The constant pressure controller is designed to work with fans equipped with EC motors. Smooth fan speed control ensures constant negative pressure upstream or constant pressure downstream of the fan.

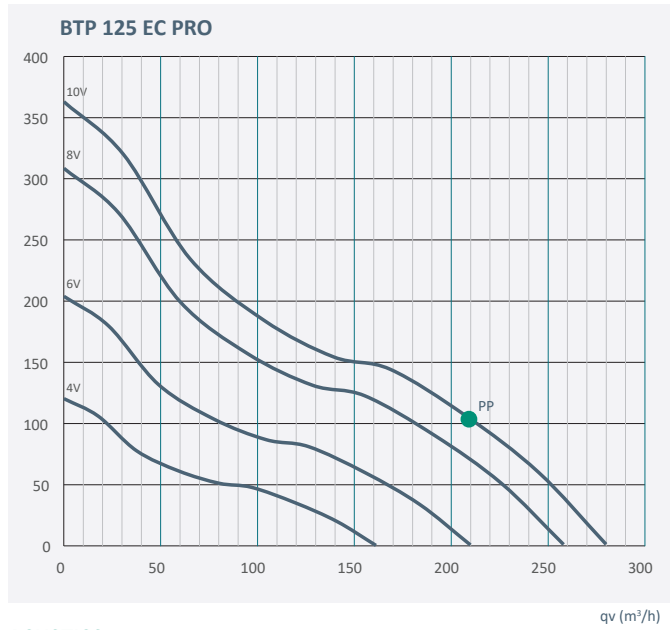
The built-in system with adjustable settings allows you to adjust the dynamics of pressure control. Additionally, it can have a night setting, which reduces the efficiency of the device while increasing the comfort of use.

**Recommended by BROOKVENT for use with BTP EC PRO*

TECHNICAL SPECIFICATIONS

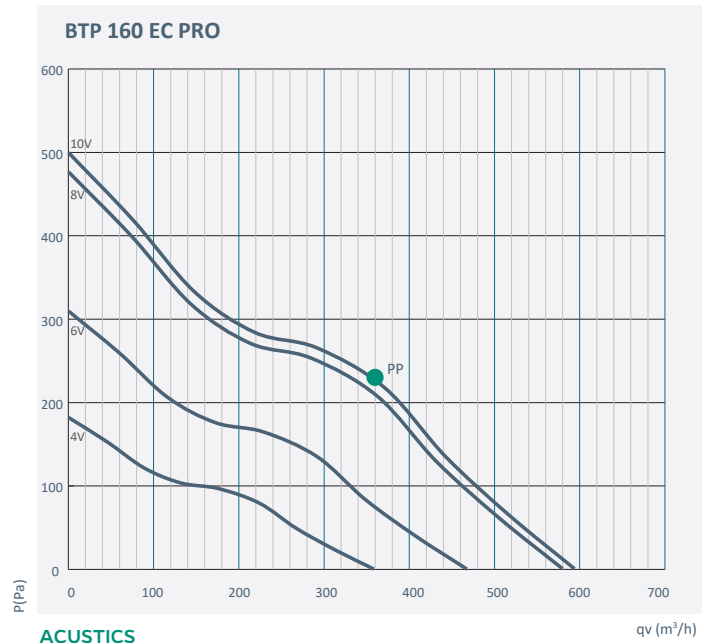
	BTP 125 EC PRO	BTP 160 EC PRO	BTP 200 EC PRO
Voltage (V)	230	230	230
Power (W)	20	40	75
Capacity (m ³ /h)	280	594	1205
Max. speed (RPM)	5000	5000	3800
Noise level [dB(A)]	54	60	61
L _{PA} at a distance of 3m [dB(A)]	49	54	56
Static pressure [Pa]	363	500	520
Weight [kg]	1,1	1,6	2,5
Safety class	IP 68	IP 68	IP 68

PERFORMANCE CURVES



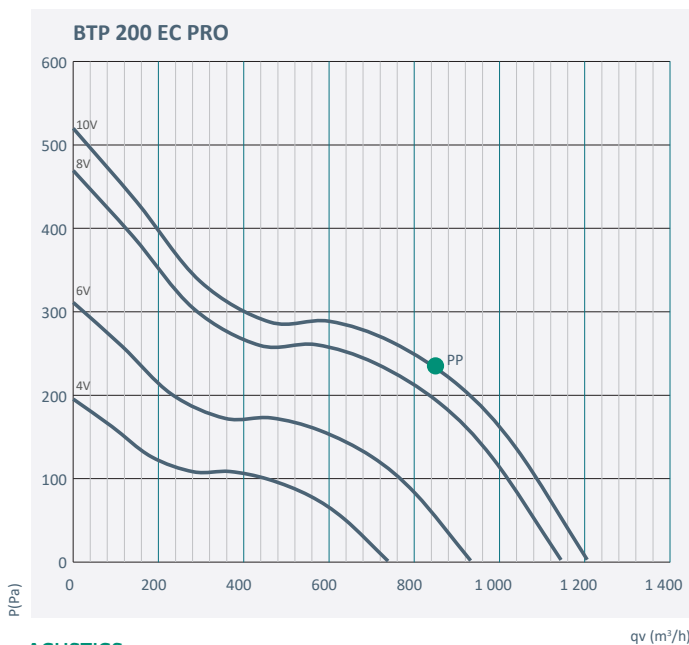
ACUSTICS

BTP 125 EC PRO	Lw [dB(A)]	125	250	500	1000	2000	4000
Max. inlet	64	31	41	54	51	55	54
Max. outlet	66	36	44	54	55	56	55
Max. emission	49	19	32	39	36	35	34
Pp inlet	65	38	45	54	52	54	50
Pp outlet	67	45	49	55	56	57	55
Pp emission	49	25	32	38	36	35	35
Min inlet	42	24	29	33	35	28	17
Min. outlet	43	22	28	30	39	29	20
Min. emission	29	11	20	14	17	14	4



ACUSTICS

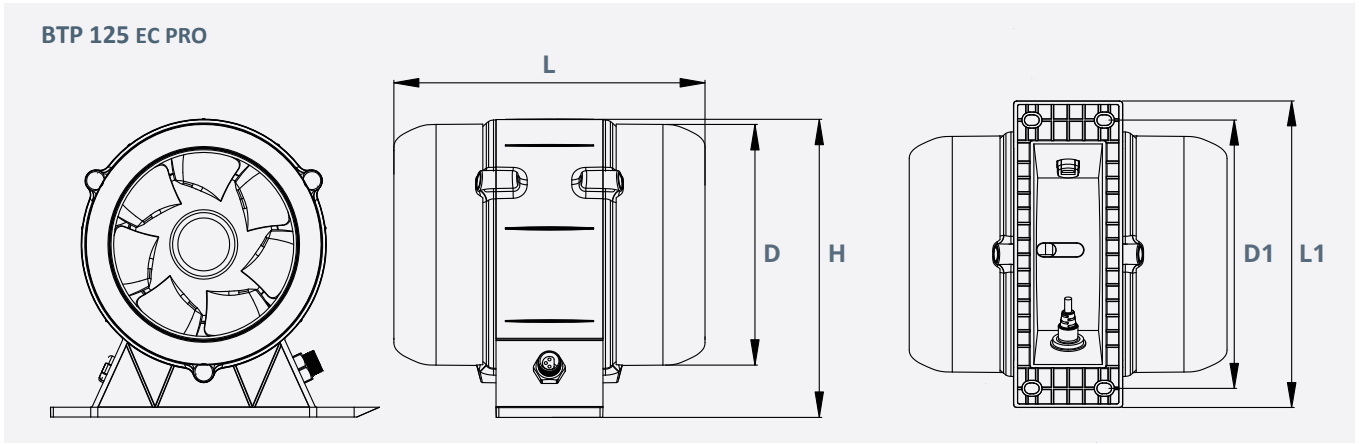
BTP 160 EC PRO	Lw [dB(A)]	125	250	500	1000	2000	4000
Max. inlet	68	48	49	56	56	59	56
Max. outlet	69	34	43	57	59	61	56
Max. emission	56	24	34	42	45	46	42
Pp inlet	71	38	52	60	59	60	55
Pp outlet	71	39	51	61	60	61	55
Pp emission	56	23	35	40	44	47	39
Min inlet	46	27	31	36	34	36	24
Min. outlet	48	30	31	38	36	37	25
Min. emission	34	9	19	23	21	24	9



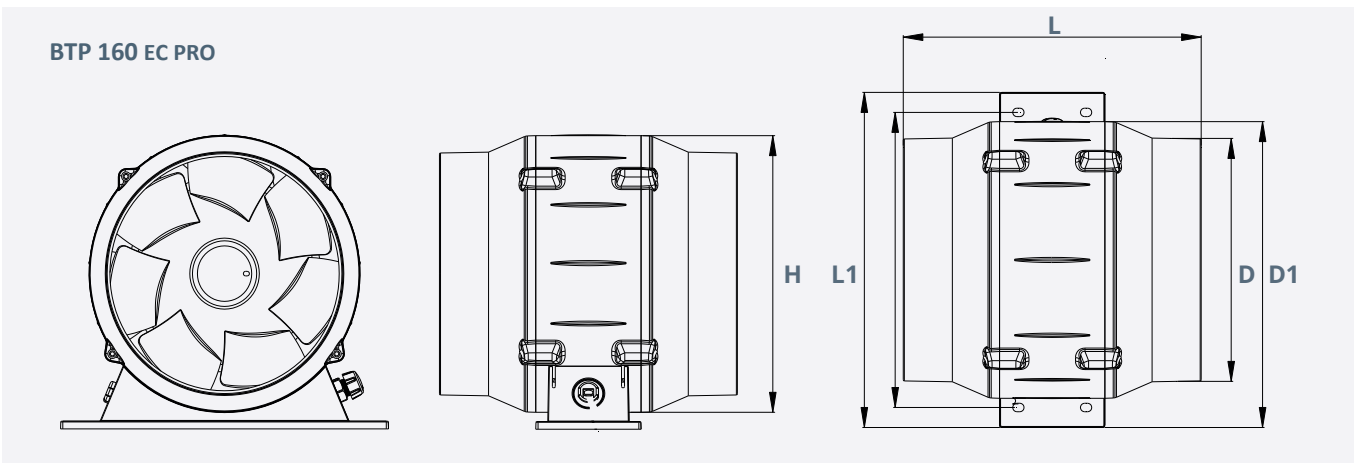
ACUSTICS

BTP 200 EC PRO	Lw [dB(A)]	125	250	500	1000	2000	4000
Max. inlet	70	34	46	59	59	60	58
Max. outlet	71	43	48	61	60	63	60
Max. emission	53	26	34	44	44	46	36
Pp inlet	72	40	57	67	62	61	55
Pp outlet	73	45	51	63	62	64	59
Pp emission	54	22	33	43	49	45	33
Min inlet	51	23	31	40	43	42	32
Min. outlet	52	25	33	40	40	44	33
Min. emission	35	12	19	24	26	28	8

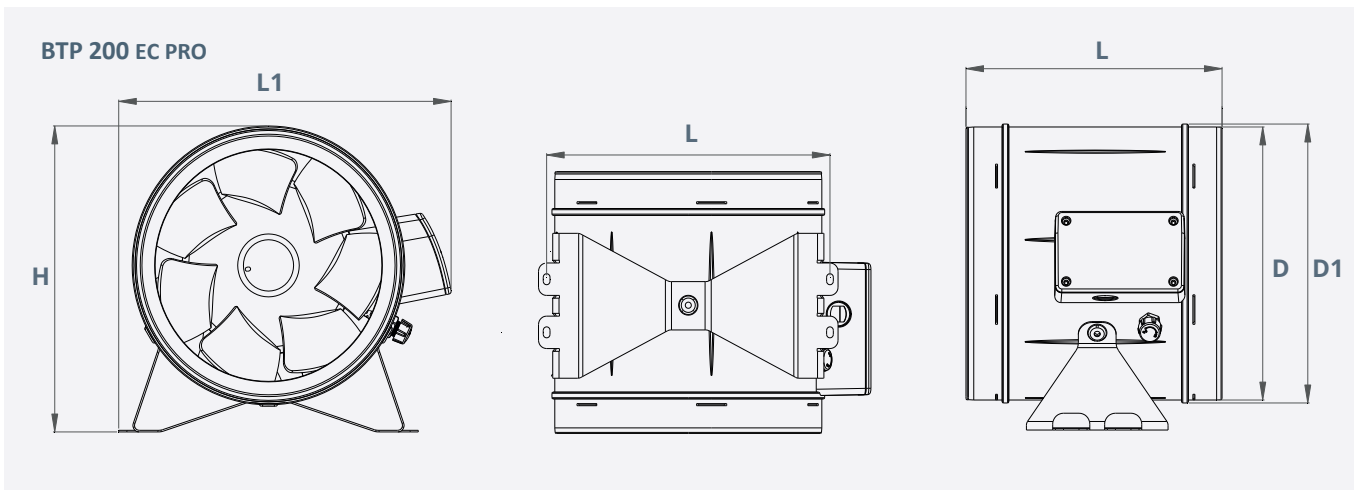
DIMENSIONS



Type	D	D1	L	L1	H
BTP 125 EC PRO	123	140	162	160	152



Type	D	D1	L	L1	H
BTP 160 EC PRO	158	199	198	218	180



Type	D	D1	L	L1	H
BTP 200 EC PRO	198	202	210	246	222

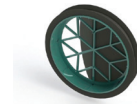
ACCESSORIES



TLE
Flexible acoustic silencer



TLS
Rigid acoustic silencer



BRF 125
Tight non-return valve